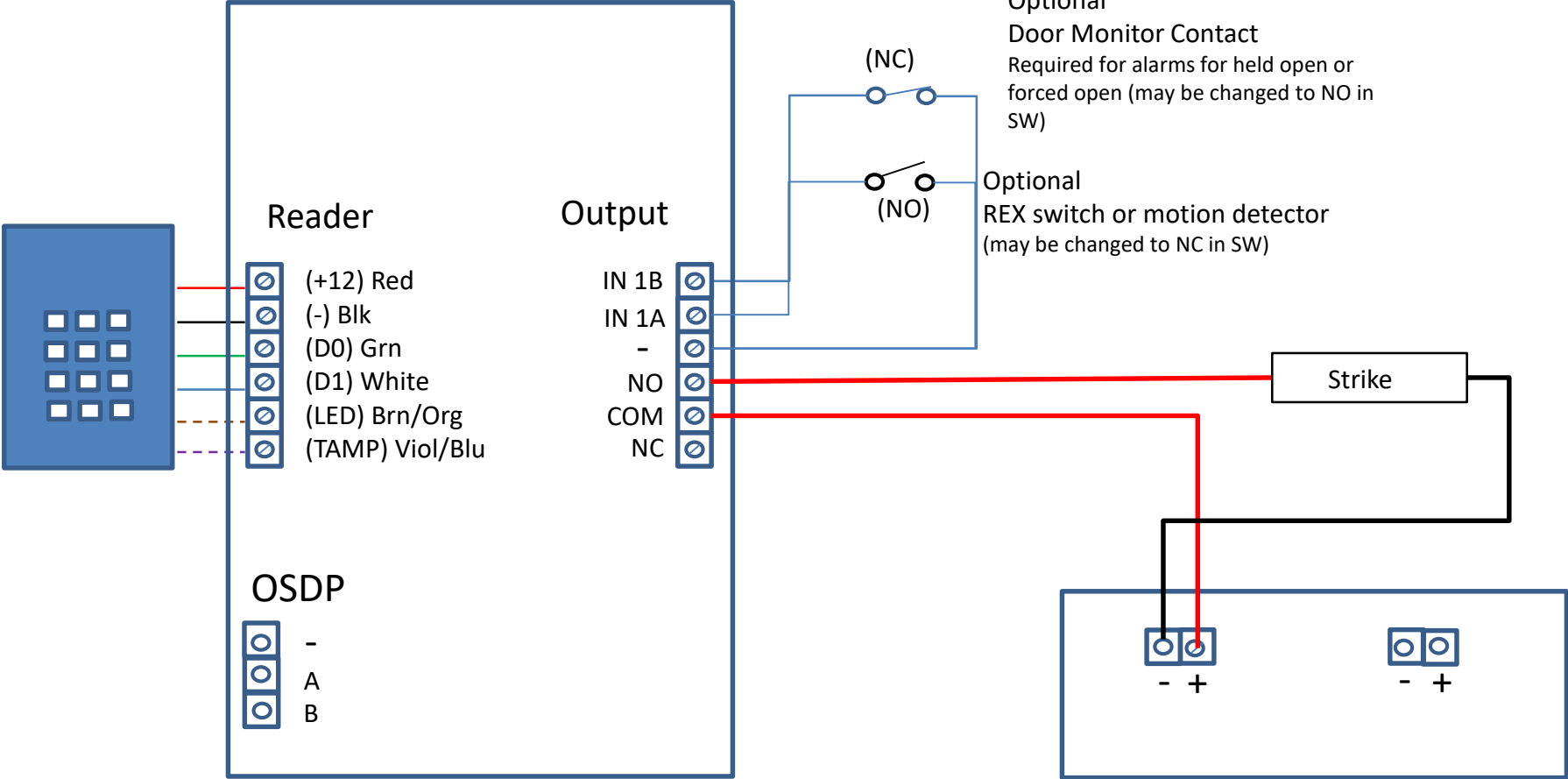
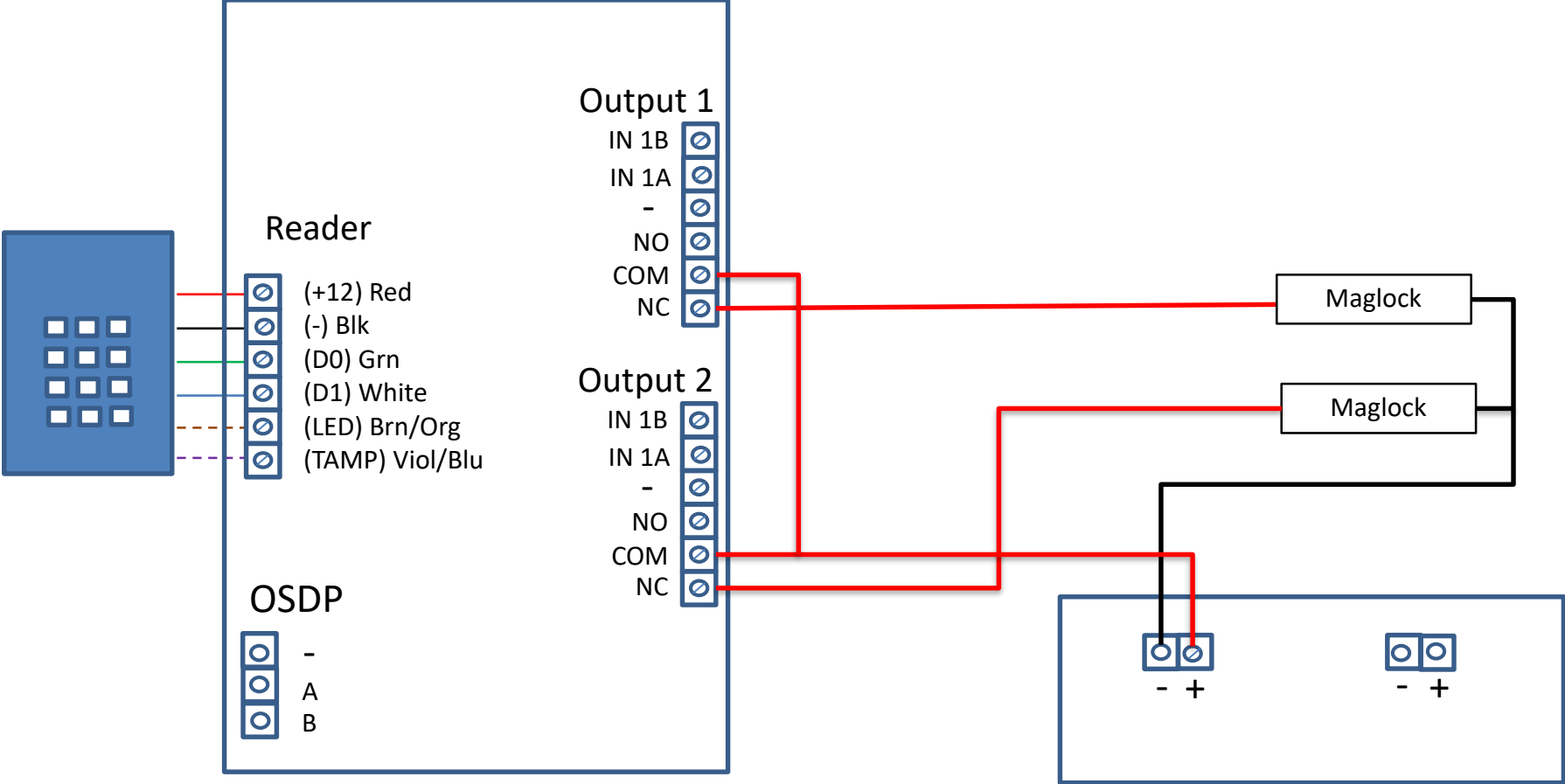


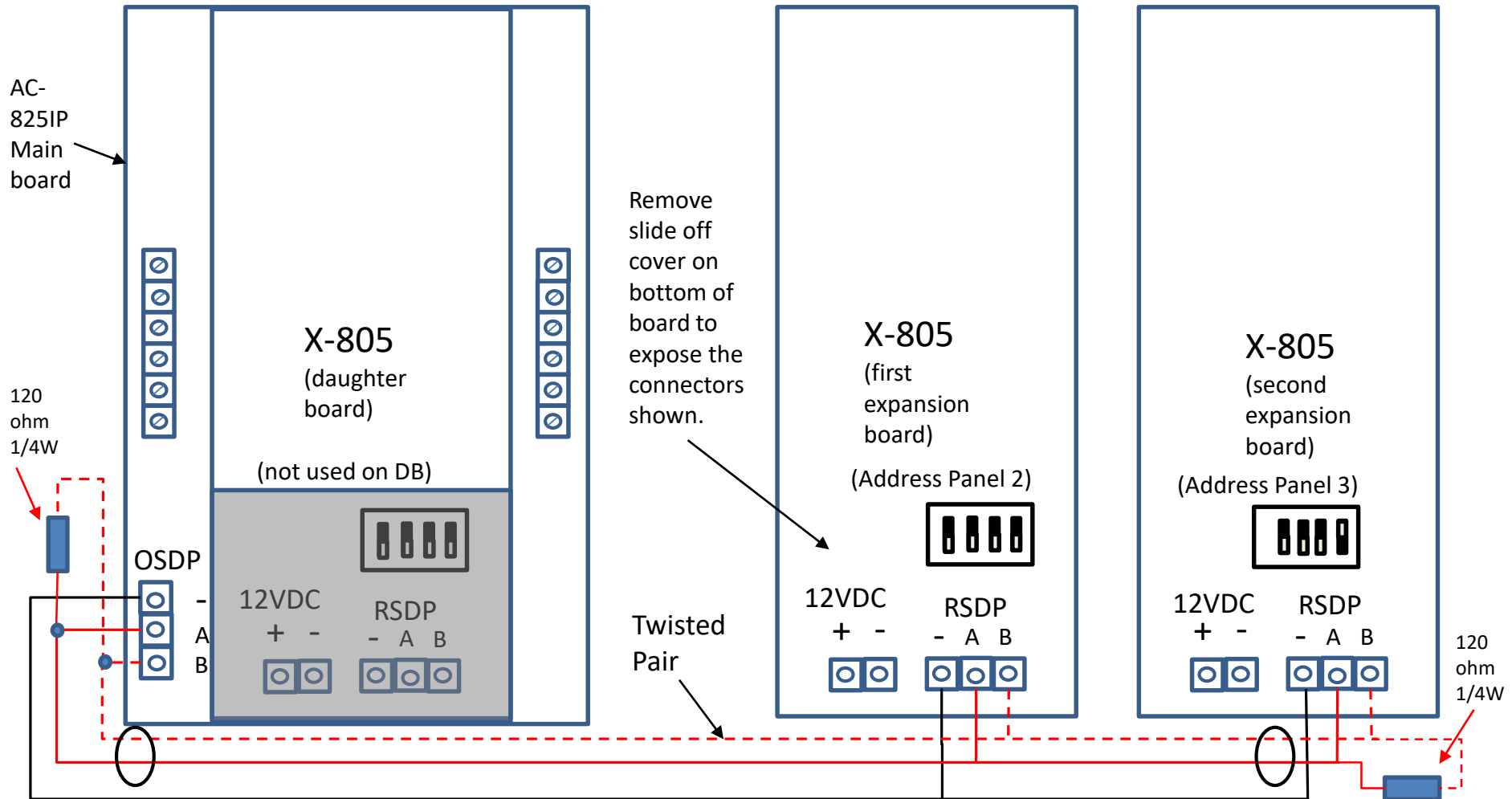
Strike Lock/Door Wiring AC-825IP/D-805



Maglock Lock/Door Wiring AC-825IP/D-805

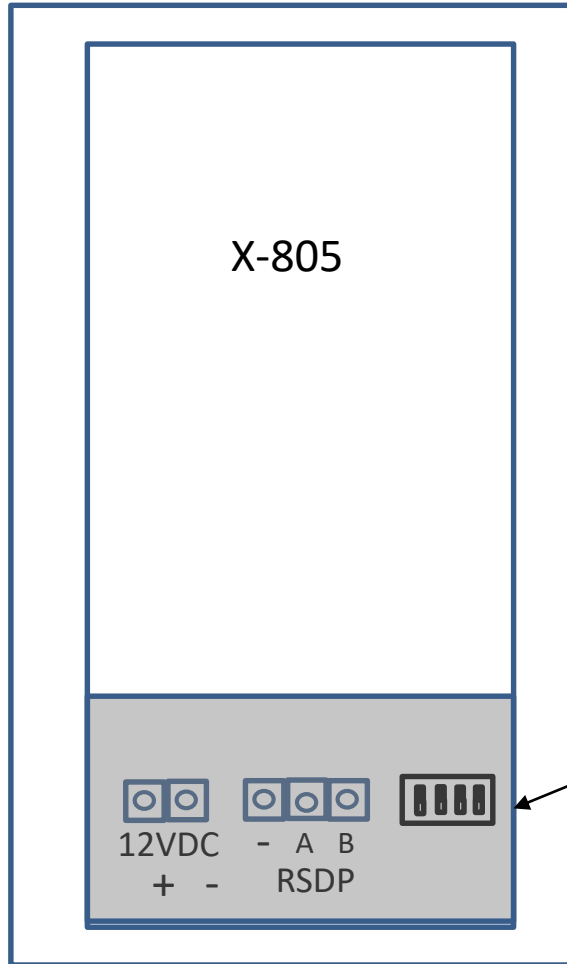


OSDP Expansion wiring

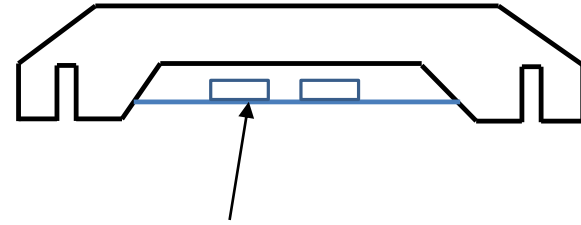


Remove slide off cover on bottom of board to expose the connectors when installing in an expansion chassis ME-1505.

There is only one power cable (+12VDC) supplied in the ME-1505, if 2 X-805 expansions are installed the installer must make a cable to connect power from the power supply module to the second board.



Top View



Connectors for LED light strip/tamper switch and power supply monitor connectors in ME-1505 only. Both cables must be connected to the same expansion board, it does not matter which connector the cables are connected to (left or right).

Slide off cover



OSDP Address Settings

1. Boards installed as a daughterboard on the AC-825 do not have an address, the address only applies to boards connected on the OSDP bus external to the main AC-825IP chassis such as in the ME-1505.
2. The AC-825IP will be panel 1.
3. After the dip switches are set make sure you power cycle the X-805 boards if they are already powered up.
4. After the boards are properly addresses power cycle (remove AC power and backup battery if attached for 15 seconds) the AC-825IP board before trying to add the expansion boards.

X-805 Address Switch settings				
address	sw1	sw2	sw3	sw4
2	0	0	0	0
3	0	0	0	1
4	0	0	1	0
5	0	0	1	1
6	0	1	0	0
7	0	1	0	1
8	0	1	1	0
9	0	1	1	1
10	1	0	0	0
11	1	0	0	1
12	1	0	1	0